

HITACHI

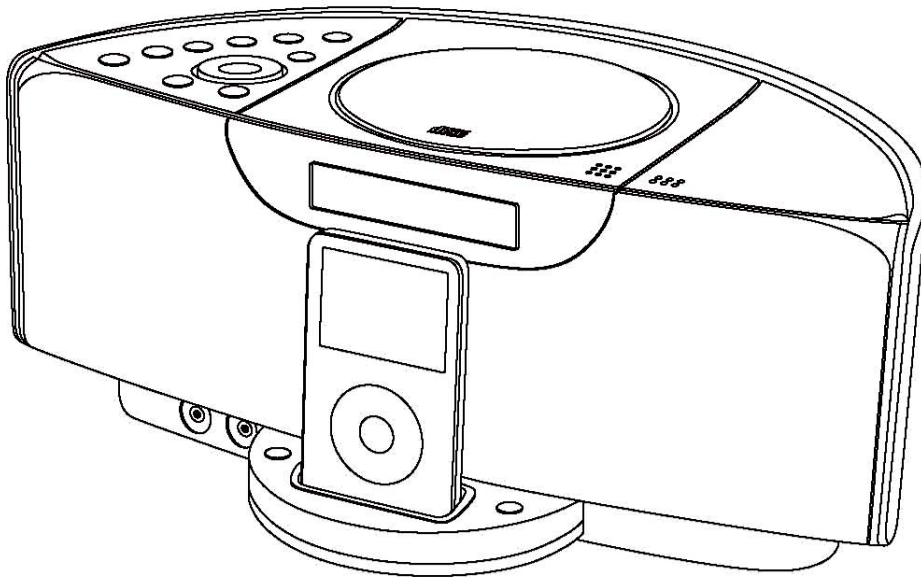
Inspire the Next

**INSTRUCTION MANUAL
MANUEL D'UTILISATION
HANDLEIDING
ISTRUZIONI OPERATIVE
BEDIENUNGSANLEITUNG
MANUAL DE INSTRUCCIONES
MANUAL DE INSTRUCOES**

HPS809E

**HOME AUDIO SYSTEM WITH DOCKING FOR iPod
RADIO REVEIL CD POUR iPod
STEREO SYSTEEM MET IPOD DOCKING
SISTEMA HOME AUDIO CON BASE PER iPod
HEIMAUDIOSYSTEM MIT IPOD - DOCKSTATION
SISTEMA DE AUDIO RADIO-CD CON ESTACIÓN PARA iPod
HOME AUDIO SYSTEM COM SUPORTE PARA iPod**

**COMPACT
disc
DIGITAL AUDIO**



Before operating please read these instructions thoroughly.

Avant de faire fonctionner l'appareil, lisez bien toutes les instructions de ce manuel.

Deze instructies aandachtig doorlezen alvorens het toestel te gebruiken.

Leggere attentamente le istruzioni prima di usare l'apparecchio.

Lesen Sie bitte vor Inbetriebnahme diese Gebrauchsanweisung aufmerksam durch.

Antes de utilizar, por favor lea detalladamente estas instrucciones

Antes de pôr o aparelho a funcionar leia com atenção estas instruções

Table of Content

GB

SOME DOS AND DON'T ON THE SAFE USE OF EQUIPMENT.....	2
IMPORTANT NOTES.....	3
IMPORTANT SAFETY INSTRUCTIONS.....	4
INTRODUCTION.....	5
FEATURES.....	5
CARE AND MAINTENANCE.....	5
PREPARATION FOR USE.....	5
POWER CONNECTION.....	5
INSTALLING BACK UP BATTERIES.....	6
FM ANTENNA.....	6
RESETTING THE UNIT.....	6
LOCATION OF PARTS.....	7-8
CLOCK AND ALARM SETTING.....	8-9
SLEEP TIMER.....	10
EQUALISER SETTING.....	10
BASS, TREBLE AND STEREO SURROUND CONTROL SETTING.....	10
LISTENING TO RADIO.....	11
LISTENING TO CD.....	11-12
LISTENING TO iPod.....	13
HEADPHONE CONNECTION.....	13
LISTENING TO AN EXTERNAL AUDIO SOURCE.....	13

SOME DOS AND DON'T ON THE SAFE USE OF EQUIPMENT

GB

This equipment has been designed and manufactured to meet international safety standards but, like any electrical equipment, care must be taken if you are to obtain the best results and safety is to be assured.

DO read the operating instructions before you attempt to use the equipment.
DO ensure that all electrical connections (including the mains plug, extension leads and interconnections between the pieces of equipment) are properly made and in accordance with the manufacturer's instructions. Switch off withdraw the mains plug before making or changing connections.
DO consult your dealer if you are ever in doubt about the installation, operation or safety of your equipment.
DO be careful with glass panels or doors on equipment.
DO route the mains lead so that it is not likely to be walked on, crushed, chafed, or subjected to excessive wear and tear or heat.

DON'T remove any fixed cover as this may expose dangerous voltages.
DON'T obstruct the ventilation openings of the equipment with items such as newspapers, tablecloths, curtains, etc. Overheating will cause damage and shorten the life of the equipment.
DON'T allow electrical equipment to be exposed to dripping or splashing, or objects filled with liquids, such as vases, to be placed on the equipment.
DON'T place hot object or naked flame sources such as lighted candles or nightlights on, or close to equipment. High temperatures can melt plastic and lead to fires.
DON'T use makeshift stands and NEVER fix legs with wood screws-to ensure complete safety always fit the manufacturer's approved stand or legs with the fixings provided according to the instructions.
DON'T use equipment such as personal stereos or radios so that you are distracted from the requirements of traffic safety. It is illegal to watch television whilst driving.
DON'T listen to headphones at high volume, as such use can permanently damage your hearing.
DON'T leave equipment switched on when it is unattended unless it is specifically stated that it is designed for unattended operation or has a stand-by mode. Switch off using the switch on the equipment and make sure that your family know how to do this. Special arrangements may need to be made for infirm or handicapped people.
DON'T continue to operate the equipment if you are in any doubt about it working normally, or if it is damaged in any way-switch off, withdraw the mains plug and consult your dealer.

ABOVE ALL

- NEVER let anyone especially children push anything into holes, slots or any other opening in the case - this could result in a fatal electrical shock;
- NEVER guess or take chances with electrical equipment of any kind
- it is better to be safe than sorry!

To achieve the utmost in enjoyment and performance, please read this manual carefully before attempting to operate the unit in order to become familiar with its features, and assure you years of faithful, trouble free performance and listening pleasure.

IMPORTANT NOTES

GB

- * Keep instructions: the safety and operating instructions should be retained for future reference.
- * Avoid installing the unit in locations described below:
Places exposed to direct sunlight or close to heat radiating appliances such as electric heaters.
On top of other stereo equipment that radiate too much heat. Places lacking ventilation or dusty places. Places subject to constant vibration. Humid or moist places.
- * Make sure not to obstruct the ventilation openings.
- * Before turning on the power for the first time, make sure the power cord is properly installed.
- * Mains plug is used as the disconnect device and it shall remain readily operable completely.
- * The product shall not be exposed to dripping or splashing and that no objects filled with liquids, such as vases, shall be placed on the product.
- * To completely disconnect the power input, the mains plug of apparatus shall be disconnected from the main. Unplug the unit from the wall outlet during storms to prevent damage due to lightning and any power fluctuation.
- * When the standby LED and display are not illuminated; this indicates that the power switch is set to off or the set is disconnected from the mains.
- * Minimum distances 10cm around the apparatus for sufficient ventilations.
Attention should be drawn to the environmental aspects of battery disposal.
- * The mains plug should not be obstructed or should be easily accessed during intended use.
- * The ventilation should not be impeded by covering the ventilation openings with items such as newspaper, table-clothes, curtains etc.
- * No naked flame sources such as lighted candles should be placed on the apparatus.
- * Battery shall not be exposed to excessive heat such as sunshine, fire or the like.

For safety reasons, do not remove any covers or attempt to gain access to the inside of the product. Refer any servicing to qualified personnel.

Do not attempt to remove any screws, or open the casing of the unit; there are no user serviceable parts inside, refer all servicing to qualified service personnel.



CAUTION: TO REDUCE THE RISK OF ELECTRIC SHOCK DO NOT REMOVE COVER(OR BACK), NO USER SERVICEABLE PARTS INSIDE, REFER SERVICING TO QUALIFIED SERVICE PERSONNEL.



DANGEROUS VOLTAGE

There is high voltage, that may be of sufficient magnitude to constitute a risk of electric shock to persons is present within this products enclosure.



ATTENTION

The owners manuals contains important operating and maintenance instructions, for your safety, it is necessary to refer to the manual.

WARNING : TO PREVENT FIRE OR SHOCK HAZARD, DO NOT EXPOSE THIS APPLIANCE TO DRIPPING OR SPLASHING.

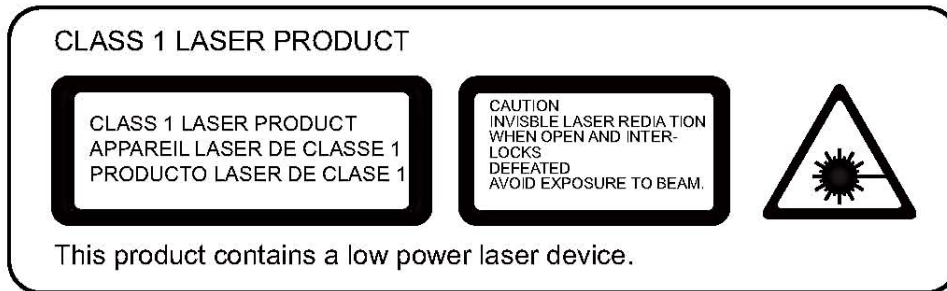
Note:

- This unit will become warm when used for a long period of time. This is normal and does not indicate a problem with the unit.
- The CD player includes micro-processors which may malfunction as a result of external electrical interference or noise. If the CD player is not working properly, disconnect the power source and then reconnect it.
- Excessive sound pressure from earphones and headphones can cause hearing loss.
- If an unusual conditions occurs in the display window or key button, switch the unit off, then turn on the unit again.

IMPORTANT SAFETY INSTRUCTIONS

GB

Warnings



Protection Against Laser Energy Exposure

- As the laser beam used in this compact disc player is harmful to the eyes, do not attempt to disassemble the casing
- Stop operation immediately if any liquid or solid object falls into its ventilation slots.
- Do not touch or push the lens, if you do, you may damage the lens and the player may not operate properly.
- Do not put anything in the safety slot. If you do, the laser diode will be ON when the CD door is open.

Battery Safety Guidelines

Always:

- Make sure battery compartments are secured.
- Use the batteries recommended.
- Fit batteries correctly observing the plus and minus marks on the battery and compartment.
- Replace the whole set of batteries at one time.
- Store unused batteries in their packaging and keep it away from metal object that may cause short circuit.
- Remove dead batteries from the equipment.
- Remove batteries from appliances that will not be used again for long periods of time.
- Supervise children when using batteries.
- Keep loose button cell and different types of batteries away from young children.

Never:

- Mix old and new batteries.
- Mix different types of batteries.
- Dispose batteries on fire.
- Attempt to recharge ordinary batteries.
- Expose batteries to excessive heat such as sunshine, fire or the like.

Warning statement for lithium battery:

CAUTION
Danger of explosion if battery is incorrectly replaced.
Replace only with the same or equivalent type.

INTRODUCTION

Please read this instruction manual to learn about the features and controls of this unit.

GB

FEATURES

- iPod®, iPod® Mini, iPod® classic, iPod® touch and 1st to 3rd gen. iPod® nano Player and Re-charger. Five interchangeable iPod adapters included.
- CD player playback music with Audio CD, MP3 format.
- AM(MW) / FM Stereo receiver with digital read out on the LCD. FM antenna wire (included) for better FM radio reception.
- Audio line-in for connecting other digital audio players. Stereo headphone jack connection for private listening.
- Clock, Sleep and Alarm timer function.
- Wake up to Alarm (Buzzer), Radio, CD and iPod.
- Built-in high fidelity speakers.
- 5 Equalizer Settings (Flat (EQ OFF), Rock, Jazz, Classic and Pop).

iPod®, iPod® Mini, iPod® nano, iPod® classic, iPod® touch and iPod® shuffle are trademarks of Apple Computer Incorporated which is registered in the United States of America and other countries.

CARE AND MAINTENANCE

- Do not subject the unit to excessive force, shock, dust or extreme temperature.
- Clean your unit with a damp (never wet) cloth. Solvent or detergent should never be used.
- Avoid leaving your unit in direct sunlight or in hot, humid or dusty places.
- Handle the disc carefully. Never allow your fingers to come in contact with the unprinted side of the disc.
- Do not attach adhesive tape, stickers and etc. to the disc label.
- Clean the disc periodically with a soft, lint-free dry cloth. Never use detergents or abrasive cleaners to clean the disc. If necessary, use a CD cleaning kit.
- If disc skips or gets stuck on a certain section, it is probably dirty or damaged (scratched).
- When cleaning the disc, wipe in straight lines from the center to the edge of the disc. Never wipe in circular motions.
- To remove a disc from its storage case, press down on the center of the case and lift the disc out, holding it carefully by the edges.
- Fingerprints and dust should be carefully wiped off on the disc's recorded surface with a soft cloth.



PREPARATION FOR USE

Remove all packing materials from the unit before use. Check all the accessories included on the packaging namely:

- Main Unit
- Remote Control with 1xCR2032 battery
- Five Different iPod Adapters and a dust cover
- External FM Wire Antenna

POWER CONNECTION

This system is designed to operate on 230V AC 50Hz house current only.

Connecting this system to any other power source may cause damage to the system and such damage is not covered by your warranty.

INSTALLING BACK UP BATTERIES

The battery compartment is located at the bottom right side of the unit beside the subwoofer.

GB

1. Remove the battery compartment door.
2. Install 2 X AAA or UM-4 alkaline batteries (not included) in the correct polarity.
3. Insert back the battery compartment door.

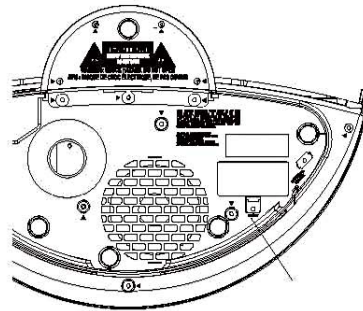
FM ANTENNA

The FM Antenna is attached to a screw terminal at the bottom of the unit. Unwind and fully extend the antenna wire completely to obtain good reception.

RESETTING THE UNIT

If the unit is subject to a power surge or electric shock, it is possible that internal microcontroller may lock up and the unit will not respond to any commands from the top panel controls.

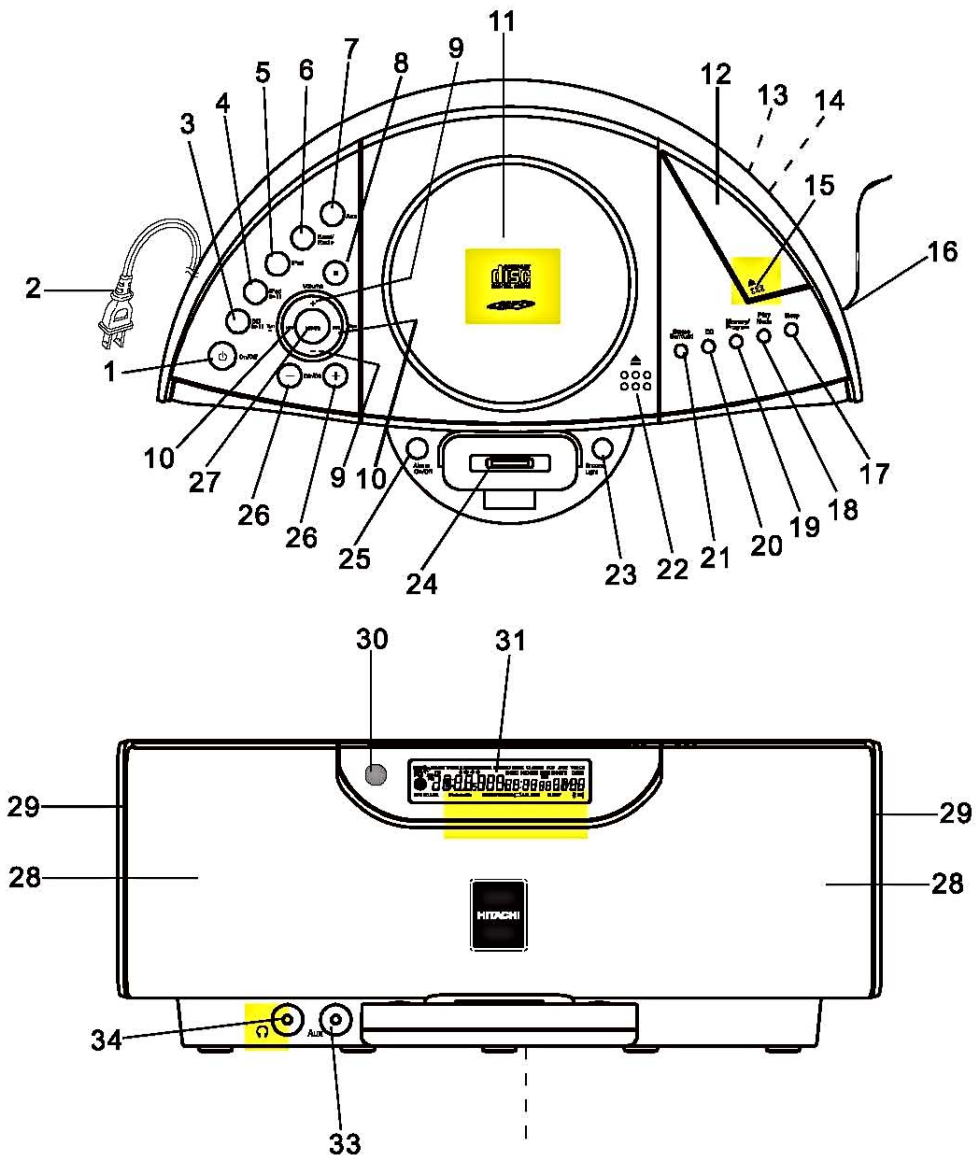
1. In this event, unplug and then reconnect the AC power plug into the wall outlet.
2. Use a straightened paper clip, toothpick or similar objects to press the RESET Button located at the back of the main unit (see figure). The reset operation clears the system memory and all of your previous settings will be erased.
3. Do not use any pointer and sharp objects to press the RESET Button as this may damage the reset switch inside the unit.



RESET BUTTON

LOCATION OF PARTS

GB



- | | |
|---|----------------------------------|
| 1. POWER () Button | 19. MEMORY / PROGRAM Button |
| 2. AC Power Cord | 20. EQ Button |
| 3. CD PLAY / PAUSE (▶) Button | 21. STEREO SURROUND Button |
| 4. iPod PLAY / PAUSE (▶) Button | 22. CD DOOR PUSH OPEN (▲) Button |
| 5. iPod Button | 23. SNOOZE / LIGHT Button |
| 6. BAND / RADIO Button | 24. iPod Dock |
| 7. AUX Button | 25. ALARM ON / OFF Button |
| 8. CD STOP (■) Button | 26. DIR+ / - / CH+ / - Button |
| 9. VOLUME +, - Button | 27. MODE Button |
| 10. TUNE+ (▶▶) / - (◀◀) Button | 28. FRONT Speakers |
| 11. CD Door | 29. ACCENT EDGE Lighting |
| 12. SECONDARY CONTROL Cover | 30. REMOTE CONTROL Sensor |
| 13. BATTERY BACK UP Compartment | 31. MAIN Display |
| 14. RESET Button | 32. SUBWOOFER Speaker |
| 15. PUSH OPEN SECONDARY CONTROL COVER | 33. AUX IN Jack |
| 16. FM ANTENNA Terminal and FM WIRE Antenna | 34. HEADPHONE JACK |
| 17. SLEEP Button | |
| 18. PLAY MODE (P-MODE) Button | |

General Controls

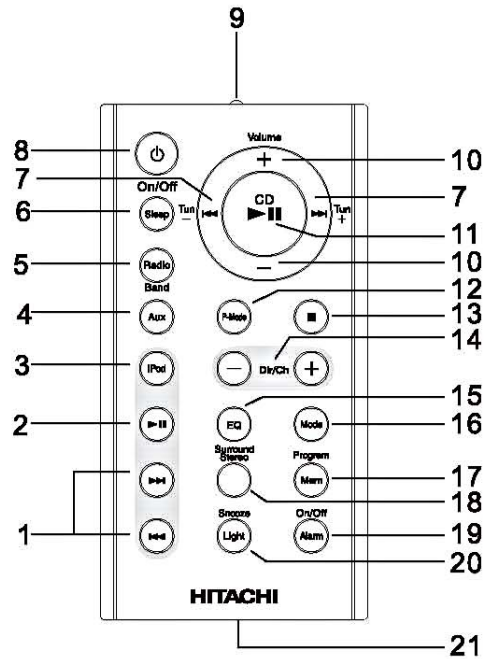
You can access the control buttons of the unit by gently pressing down the SECONDARY CONTROL COVER and it will automatically reveal other available control buttons. Press back the same button again to lock on its place.

LOCATION OF PARTS

GB

Remote Control

1. iPod (▶▶) / (◀◀) Buttons
2. iPod (▶ ||) PLAY / PAUSE
3. iPod Button
4. AUX Button
5. BAND / RADIO Button
6. SLEEP Button
7. TUN+ (▶▶) / TUN- (◀◀) Button
8. ON/OFF (⏻) Button
9. INFRARED Transmitter
10. VOLUME+ / - Button
11. CD PLAY/ PAUSE (▶ ||) Button
12. P-Mode Button
13. CD STOP (■) Button
14. DIR+ / - / CH+ / - Button
15. EQ Button
16. MODE Button
17. MEM / PROGRAM Button
18. SURROUND STEREO Button
19. ALARM ON/OFF Button
20. SNOOZE / LIGHT Button
21. LITHIUM BATTERY Compartment



Note: Please remove the film strip located at the battery compartment before using the remote control. The maximum distance of the remote control from the unit is 5 meters.

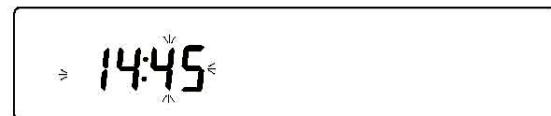
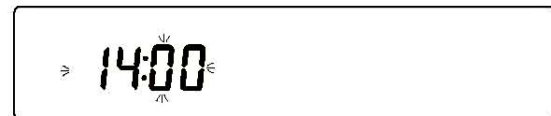
Turn ON/OFF

Once the unit is plugged in to an outlet source, it will go on STANDBY Mode. To turn ON/OFF the unit, press the POWER (⏻) Button on the remote control or directly on the unit.

CLOCK AND ALARM SETTING

When you connect the power plug to AC main the unit will automatically go to Standby Mode. The display will turn ON and show "0:00" and 1/1" (January 1st). The colon will begin to flash indicating that the clock is running.

1. Press the MODE Button for three times and the time display will begin to flash.
2. Press the TUN+ (▶▶) / TUN- (◀◀) Buttons to set the HOUR (Example: 14:00) and pressing the VOLUME +/- Buttons will adjust the MINUTES (Example: 14:45).
3. After setting up the clock (approximately 10 seconds), the display will stop flashing and begin on the time set.
Note: If the display stops flashing before setting the correct time, the setting will not be completed. Please repeat steps 1 to 3 again to setup the clock function properly.
4. Users have the option to select between 12/24 HOUR settings by pressing the MODE Button for four times until the "24hr" is displayed on the screen. Press the TUN+ (◀◀) / TUN- (▶▶) Buttons to select between 12/24 HOUR times setting and wait for the screen to stop flashing to save settings.



CLOCK AND ALARM SETTING

GB

Year, Month and Date Setting

1. To set the Year, press the MODE Button for five times and the year starts flashing. Press the TUN+(▶▶) / TUN-(◀◀) Buttons to adjust year.
2. To set the Month and Date, press the MODE Button for six times on the unit then "1/1" is flashing on the display. Press the TUN+(▶▶) / TUN-(◀◀) Buttons to adjust the MONTH or press the VOLUME+/- Buttons to adjust the DAY. After setting the correct Month and Day, after 10 seconds, it will be saved automatically.

Alarm Setting

After setting the Clock, users can now set the Alarm Function of the unit. During STANDBY Mode:

1. When the correct time is displayed, press the MODE button once and the display will change from the current time to the alarm time. One of the alarm icon (BUZ) will be displayed from the screen.
2. The alarm display will start blinking and you may press the TUN + (▶▶) / TUN - (◀◀) Buttons to adjust the desired wake up HOUR. Pressing the VOLUME + / - Buttons will adjust the alarm MINUTES.
3. When the display shows the desired alarm time, press the MODE Button once again and the alarm icon begins to flash. Press the VOLUME + / - Buttons to select to the following wake up modes.

BUZZER (BUZ) / RADIO (RAD) / CD (CD) / IPOD (iPod)

4. After 10 seconds (no operation), the alarm display will stop flashing and the alarm time is set. Press the ALARM ON/OFF Button to enable or disable the alarm function.



Alarm to CD/Radio/iPod

1. Please make sure that a CD is placed, a radio station is tuned or iPod is inserted on the unit. Check and adjust the alarm time setting if necessary and make sure that the desired alarm source is selected.
2. Press the ALARM ON/OFF Button and the alarm (iPod) icon is enabled on the display.
3. When the alarm time is reached, the alarm source will be played immediately from a low volume and eventually gets louder. The alarm source operation will be ON for 60 minutes.
4. To stop the alarm function, press the ALARM ON/OFF Button once to enable the alarm the next day or press it twice to cancel the alarm function. The (iPod) icon will be disabled and cancel the alarm settings.

Note: If no iPod is connected, the alarm will default to the BUZZER as its source.

Alarm to Buzzer

1. Check and adjust the alarm time setting if necessary and make sure that the (BUZ) is select.
2. Press the ALARM ON/OFF Button and the (BUZ) icon is enabled on the display.
3. When the alarm time is reached, the buzzer will be played immediately. It continues for one minute and then enters the "Auto Snooze" Mode.
After one minute, the buzzer will shut off for 9 -10 minutes and turn on again automatically. This "Buzzer / Auto Snooze" cycle will be repeated for three times and will be cancelled on the fourth alarm which will be repeated the next day.
4. To stop the alarm function, press the ALARM ON/OFF Button once to enable the alarm the next day or press it twice to cancel the alarm function. The (BUZ) icon will be disabled and cancel the alarm settings.

Snooze / Light Operation

To temporarily dismiss the alarm function, you may press the SNOOZE/LIGHT Button. This will temporarily dismiss the alarm function for 9-10 minutes before it will alarm again. This can be repeated for three times and on the fourth time, it will automatically cancel the SNOOZE function and the alarm will be repeated the next day. The other function of the SNOOZE/LIGHT Button is that upon pressing, the LCD light can be activated or deactivated.

SLEEP TIMER

The Sleep Timer allows you to set the unit to automatically turn off after a selected sleep time duration is set.

GB

1. To activate the Sleep timer, press the SLEEP button repeatedly when the unit is ON. The sleep Function can be set in the following sequence (in minutes):
0 / 15 / 30 / 45 / 60



2. The SLEEP Icon will be displayed on the screen.
3. To switch off the Sleep Timer, press the SLEEP Button repeatedly, the "SLEEP" indicator is disabled on the display.
To switch off the unit before the selected sleep time, press the POWER () Button once.



EQUALISER SETTING

At anytime you may press the EQ Button to enable the equaliser function to enhance the sound quality of the track your playing. Each press of the EQ Button allows you to cycle on the following equaliser function:

ROCK / CLASSIC / POP / JAZZ / FLAT (EQ OFF)

BASS, TREBLE AND STEREO SURROUND CONTROL SETTING

When the unit is ON, make sure that the EQ function must be set to "FLAT/EQ OFF" and no EQ indicator is displayed on the screen.

- To adjust the BASS, press the MODE Button once and use the VOLUME +/- Button to increase / decrease the Bass level.
- To adjust the TREBLE, press the MODE Button twice and use the VOLUME +/- Button to increase or decrease the treble level. Each Bass and Treble adjustment can be set at range of +/- 6db (2 per each step).
- To enable the Stereo Surround function, press the STEREO SURROUND Button (on the unit or remote control) until the Stereo Surround icon () is enabled. This is recommended to use if you are listening to a weaker FM stereo channels. Press again the STEREO SURROUND Button to cancel this function.



LISTENING TO RADIO

1. Press the RADIO/BAND Button to select the radio function. The power turns ON together with the display, back and edge lighting automatically. The unit can tune in beginning on AM (MW) (520 KHz) and FM (87.5 MHz) frequency channel. By pressing the RADIO/BAND Button repeatedly changes the band from FM STEREO, to FM MONO, to AM (MW).
2. After selecting the desired band, tune to the desired station either by Manual or Automatic Tuning.
 - Manual Tuning : Repeatedly press the TUN + (▶▶) / TUN - (◀◀) Buttons until the desired frequency channel is reached.
 - Automatic Tuning : Press and hold (for several seconds) the TUN + (▶▶) / TUN - (◀◀) Buttons until it searched automatically. The unit will search for the strong frequency channel that encountered. Do this process until the desired frequency channel is reached.

Note:

- Use Manual Tuning to tune in weak stations that are bypassed during Automatic Tuning.
- If listening to a very weak FM stations, try pressing the RADIO/BAND Button and select FM MONO Mode to improve reception quality.
- Upon turning OFF, the unit remembers the last station you were listening and the settings you have adjusted.

Presetting Station in the Tuner Memory

To save your favorite local stations, you may follow the instructions below:

1. Tune in to the first station you want to memorize using either Manual or Automatic Tuning (press the TUN+ (▶▶) / TUN- (◀◀).
2. When the desired station is reached, press the MEMORY/PROGRAM Button once. The MEM and the CH01 indications flash in the display.
3. Press the CH+/- Button to select desired channel number then press the MEMORY/PROGRAM Button again to save the selected station in Memory.
4. Repeat steps 1-3 and you can save 10 station for FM and another 10 stations for AM (MW).



5. To do AM (MW) programming, press the RADIO/BAND Button and select AM(MW). Repeat the same process on saving your desired stations.
6. To recall the save stations, press the RADIO/BAND Button to select the desired band and then press the DIR+ / - / CH+ / - Buttons to select the preset stations.
7. To change the preset stations, tune to the desired station and then press the MEMORY/PROGRAM Button.
8. Press the DIR+ / - / CH+ / - Buttons and select the preset memory channel that you want to change.
9. Press the MEMORY/PROGRAM Button to overwrite the previous saved station with your selected radio station. At this point all preset indicators will stop from flashing.

Note: The AM (MW) frequency can be adjusted each step with 9 kHz apart. You may also set the unit to adjust the frequency by 10 kHz per step. To do this, make sure the unit is in Standby Mode. Press the MODE Button for seven times and use the TUN + (▶▶) / TUN - (◀◀) to select between 9/10 kHz. Press the MEMORY/PROGRAM Button to save and exit the setting mode.

LISTENING TO CD

The CD player supports CD / CD-R / CD-RW discs recorded with Audio CD and compressed MP3 formats.

1. Open the CD Door by pressing the RIGHT FRONT COVER to release the door. Remove the protection card and discard it. Place the CD onto the spindle with the printed side facing up and close the unit.
2. Press the CD PLAY / PAUSE (▶ ||) Button to begin playback.
3. Adjust the volume, EQ, Bass, Treble and Surround according to the desired settings.
4. To go to a desired CD track, press the TUN+(▶▶) / TUN- (◀◀) Buttons.
For MP3 disc, you may press Dir+/- button to select next/previous directory(folder).

LISTENING TO CD

- To fast forward or fast rewind within the track, press and hold the TUN+ (▶▶) / TUN- (◀◀) buttons.
- To pause the CD playback, press the CD PLAY / PAUSE (▶ ||) Button and the CD playback-time digits blink.
To resume CD playback, press the CD PLAY / PAUSE (▶ ||) Button again.
- To stop CD playback, press the CD STOP (■) button, The total number of tracks and total playtime are shown on the display.

Note: Please make sure that the unit is on stop before you remove the disc inside the CD compartment to avoid damaging the disk or the unit as well.

CD Repeat Modes

During the CD playback, you may select the different playmodes by pressing the P-MODE (PLAY MODE) button on the remote control or you may open the SECONDARY CONTROL COVER to access this function.

- Press the P-MODE Button once and the (↺) icon will be displayed on the screen.
This will repeatedly play the selected track until the repeat function is disabled.
- Press the P-MODE button twice to Repeat ALL (↺ ALL) the tracks available on the audio disc.
- Press the P-MODE Button for three times to enable INTRO Playback and the INTRO icon will be displayed on the screen. It will play the first 10 seconds of each track on the disc.
- Press the P-MODE Button for four times to enable RANDOM Playback and the RND icon will be displayed on the screen. By pressing the TUN + (▶▶) / TUN - (◀◀) Buttons or allowing to finish a track from playing allows users to play the AUDIO CD in random order.
- To cancel the repeat function, press the P-MODE Button until it is disabled from the screen. If the STOP (■) Button is pressed, the CD play mode function will be cancelled.

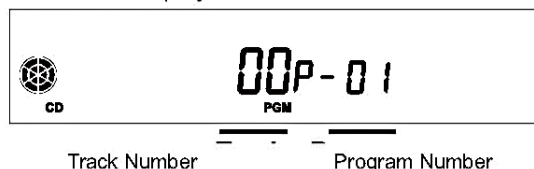
Note: For MP3 disc format burned with directories, pressing twice the P-MODE Button will repeat all tracks in a Single Directory. You can select other directories saved on the disc by pressing the DIR+ / - / CH + / - Buttons.

CD Program Playback

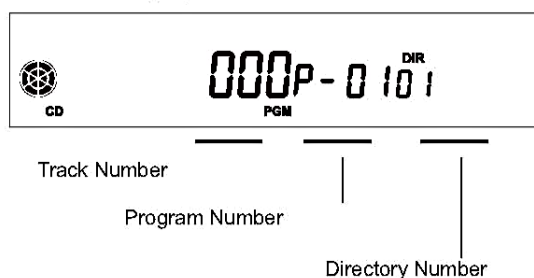
This feature allows users to program for up to 20 tracks for Audio CD/60 tracks for MP3 CD and play it in the desired order.

- Open the SECONDARY CONTROL COVER to access the MEMORY/ PROGRAM Button.
During CD stop playback, press the MEMORY/PROGRAM Button once.
For Audio CD, the "00" (track number) and "P-01" (program memory number) and "PGM" indicators are displayed on the screen. For MP3 CD, the "000" (track number) and "P-01" (program memory number), "01" (directory number) and "PGM" indicators are displayed on the screen.
The "PGM" indicator flashes on the screen to determine that the unit is in Program Mode.
- Press the TUN + (▶▶) / TUN - (◀◀) Buttons to select a track number to be programmed.
For MP3 CD, you may choose directories by pressing the DIR+ / - / CH + / - Buttons and select a directory then press the TUN + (▶▶) / TUN - (◀◀) Buttons to select the track to be programmed.

Audio CD display:



MP3 CD display:

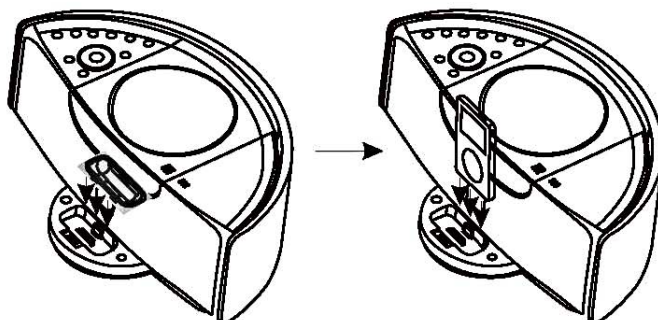


- When the desired track number is displayed, press the MEMORY/PROGRAM Button to confirm.
The program number will advance by one.
To program up to 20 tracks, repeat steps 1 to 3 until all desired tracks are programmed.
- To begin programmed playback, press the CD PLAY / PAUSE (▶ ||) Button.
The "PRG" indicator is enabled on the screen and the CD starts the programmed playback.
- To cancel programmed playback, press the STOP (■) button or turn the unit off.

LISTENING TO iPod

This model includes adapters for docking different iPod models. If the docking port will not be used for an extended period of time, it is recommended to cover the docking port by using the "Dock Cover" insert (included).

1. Select a suitable adapter for your iPod and insert it into the docking area. Your iPod can now be docked by placing the iPod onto the connector in the docking bay.



2. Set the HOLD Switch of your iPod to the OFF position to unlock the click wheel navigation controls.
3. Place your iPod into the docking station making sure that it is properly seated.
4. Press the iPod Button on top of the unit or on the remote control to turn the power ON.
5. Press the iPod PLAY / PAUSE (▶ ||) Button to begin playback. Adjust the Volume, EQ, Bass, Treble and Surround according to the desired settings.
6. Press the TUN + (▶▶) / TUN - (◀◀) Buttons to go forward or backward on a track. To fast forward or fast rewind within the track, press and hold the TUN + (▶▶) / TUN - (◀◀) buttons.
7. To stop playback, Press and hold the iPod PLAY / PAUSE (▶ ||) Button until the iPod shuts off.

Note: If you wish to navigate through the iPod menu to select-Artists, Albums, Songs, Genres and etc, you must use the iPod click wheel navigation controls as usual. The following functions cannot be controlled directly by the unit or the remote control.

HEADPHONE CONNECTION


Users can listen to music privately by connecting headphone on to the unit. The HEADPHONE Jack is located at the front of the unit.

LISTENING TO AN EXTERNAL AUDIO SOURCE

The unit provides an auxiliary audio signal input for connecting any external audio devices.

1. Connect an audio cable (not included) with 3.5mm stereo plug to the Line Out Jack of your external audio device.
2. Turn on the external audio device.
3. Connect the 3.5mm stereo plug at the other end of the cable to the Aux Jack located at the front of the unit.
4. To select auxiliary audio input, press the Aux button and select AUX mode.
5. The volume level can now be controlled through the main unit. Operate all other functions on the auxiliary device as usual.



The mark  is in compliance with the Waste Electrical and Electronic Equipment Directive 2002/96/EC (WEEE)

The mark indicates the requirement NOT to dispose the equipment including any spent or discarded batteries as unsorted municipal waste, but use the return and collection systems available. If the batteries or accumulators included with this equipment, display the chemical symbol Hg, Cd, or Pb, then it means that the battery has a heavy metal content of more than 0.0005% Mercury, or more than 0.002% Cadmium or more than, 0.004% Lead.

In the unlikely event of a problem developing, please contact the store where you purchased your equipment.

We continually strive to improve our products; specifications may change with out prior notice.

For advice on where to purchase accessories, please contact the store where you purchased your equipment.

*** The specification and external appearance of the unit are subject to change without prior notice***

